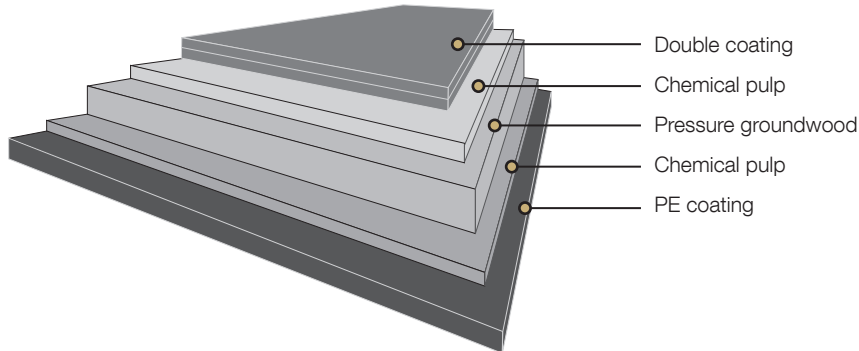


Fully coated folding boxboard (GC2)



Issued: 04.2014
Cancels: 11.2013

Specifications for Tambrite PE:

Property/Unit	Tolerance	200+15	210+15	220+15	230+15	240+15	250+15	260+15	270+15	285+15	310+15	335+15	Standards
Polymer coated board:													
Grammage, g/m ²		215	225	235	245	255	265	275	285	300	325	350	ISO 536
Polymer reverse, g/m ²		15	15	15	15	15	15	15	15	15	15	15	Mill method
Thickness, µm		365	390	415	435	455	475	495	515	555	615	665	ISO 534
Baseboard:													
Grammage, g/m ²	±4%	200	210	220	230	240	250	260	270	285	310	335	ISO 536
Thickness, µm	±4% or max. ±20µm	350	375	400	420	440	460	480	500	540	600	650	ISO 534
Bending moment Taber 15° MD, mNm	-10%	9.0	10.7	12.4	14.3	16.2	18.1	20.5	23.0	27.6	35.5	43.7	ISO 2493
Bending moment Taber 15° CD, mNm	-10%	5.0	5.9	6.8	7.8	8.8	9.8	11.0	12.3	14.6	18.5	22.4	
Bending stiffness DIN 5° MD, mNm	-10%	18.0	21.3	24.7	28.5	32.3	36.1	40.9	45.9	55.1	70.8	87.2	DIN 53121
Bending stiffness DIN 5° CD, mNm	-10%	10.0	11.8	13.6	15.6	17.6	19.6	21.9	24.5	29.1	36.9	44.7	
Moisture, %	±1	8.0	8.0	8.0	8.0	8.0	8.0	8.0	8.0	8.5	8.5	9.0	ISO 287
ISO Brightness C/2°, %, Top	±2	86	86	86	86	86	86	86	86	86	86	86	ISO 2470-1
Surface Smoothness, PPS 10, µm	max. 1.5	1.2	1.2	1.2	1.2	1.2	1.2	1.2	1.2	1.2	1.2	1.2	ISO 8791-4
Scott Bond, J/m ²	min. 100	130	130	130	130	130	130	130	130	130	130	130	TAPPI 569
Edge wicking*, g/mm.m		<1.0	<1.0	<1.0	<1.0	<1.0	<1.0	<1.0	<1.0	<1.0	<2.0	<2.0	
Robinson chocolate test		max. 0.5 for one year storage in reels/pallets											EN 1230-2

*) For hardsized

All properties according to Ingerois and Forshaga Mills' measurements.

Test climate 23°C/50% RH (according to ISO 187). Tolerances – based upon 95 % confidence limits, apply to reel/pallet average. In order to verify, reel/pallet average shall be based on 5 single measurements randomly sampled within the reel/pallet. These averages will be for at least 19 of 20 reels/pallets within the specification limits.

Ingerois Mill has certified FSC® and PEFC™ Chain-of-Custody (CoC) systems as well as certified hygiene management system.

FSC® logo licence number FSC-C105192
PEFC™ logo licence number PEFC/02-31-71