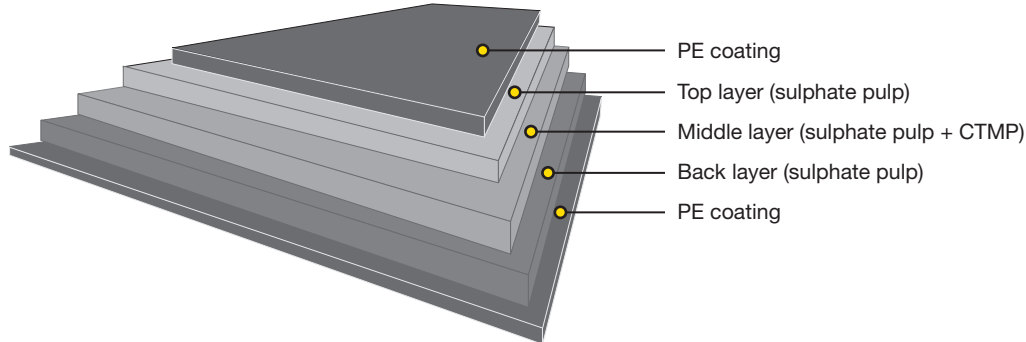


# Cupforma Natura™ 2PE

Bleached cup board



Issued: 12.2015  
Cancels: 01.2014

## Technical specification

	12+170+15	12+184+15	12+195+15	12+214+15	12+232+15	12+260+15	12+295+15	12+330+15	Standard
<b>Polymer coated board:</b>									
Grammage, g/m <sup>2</sup>	197	211	222	241	259	287	322	357	ISO 536
PE topside, g/m <sup>2</sup>	12	12	12	12	12	12	12	12	Mill method
PE reverse, g/m <sup>2</sup>	15	15	15	15	15	15	15	15	
Thickness, µm	235	270	295	320	350	390	430	470	ISO 534
<b>Baseboard:</b>									
Grammage, g/m <sup>2</sup>	170	184	195	214	232	260	295	330	ISO 536
Thickness, µm	215	250	275	300	330	370	410	450	ISO 534
Bending resistance L&W 15° MD, mN	65	95	130	160	215	290	380	500	ISO 2493-1
Bending resistance L&W 15° CD, mN	28	43	55	75	95	130	170	230	
Moisture %	9.0	8.0	8.0	8.0	8.0	8.0	8.0	8.0	ISO 287
Brightness D65/10, %, Top	83	83	84	84	84	84	84	84	ISO 2470-2
Surface Smoothness, Bendtsen, ml/min	200	200	250	250	300	300	300	300	ISO 8791-2
Stretch CD, %	6.0	6.0	6.0	6.0	6.0	6.0	6.0	6.0	ISO 1924-3

All properties according to Imatra Mills' measurements.

Test climate 23°C/50% RH (according to ISO 187).  
In order to verify, reel/pallet average shall be based on 5 single measurements randomly sampled within the reel/pallet. These averages will be for at least 19 of 20 reels/pallets within the specification limits.

### Certificates

Quality management ISO 9001  
Environmental management ISO 14001  
Product safety FSSC 22000  
Product safety ISO 22000  
Health and safety OHSAS 18001  
Energy management ISO 50001  
Forest certification and Chain-of-Custody, FSC® (logo licence number FSC-C105192), PEFC™ (logo licence number PEFC/02-31-71)

Paperboard is recyclable 