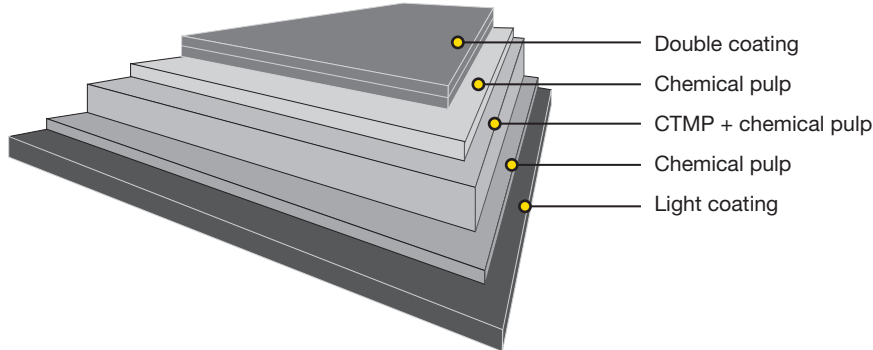


## Coated graphical board



Issued: 02.2013  
Cancels: 08.2010

### Technical specification

Property / Unit	Tolerance									Standards
		200	220	240	260	280	300	325	350	
Grammage, g/m <sup>2</sup>	±5%	200	220	240	260	280	300	325	350	ISO 536
Thickness, µm	±5%	260	290	330	365	400	430	470	515	ISO 534
Bending stiffness DIN 5° MD, mNm	-15%	10.3	15.5	20.5	26.9	34.0	41.1	50.3	59.4	
Bending stiffness DIN 5° CD, mNm	-15%	5.1	7.3	9.5	12.2	15.4	18.8	23.7	29.2	
Bending moment Taber 15° MD, mNm	-15%	6.0	8.8	11.6	15.3	19.3	23.4	28.6	33.8	
Bending moment Taber 15° CD, mNm	-15%	2.9	4.2	5.4	6.9	8.8	10.7	13.5	16.6	
Bending resistance L&W 15° MD, mN	-15%	121	182	241	316	400	484	592	699	ISO 2493-1
Bending resistance L&W 15° CD, mN	-15%	60	86	112	144	181	221	279	343	
Moisture, %	±1%	6.5	6.5	6.5	6.5	6.5	6.5	6.5	6.5	ISO 287
ISO Brightness C/2°, %, Top	min. 88	91.5	91.5	91.5	91.5	91.5	91.5	91.5	91.5	ISO 2470-1
ISO Brightness C/2°, %, Reverse	min. 85	88.5	88.5	88.5	88.5	88.5	88.5	88.5	88.5	
Brightness D65/10°, %		98.5	98.5	98.5	98.5	98.5	98.5	98.5	98.5	ISO 2470-2
CIE Whiteness D65/10°, Top		118	118	118	118	118	118	118	118	ISO 11475
CIE Whiteness D65/10°, Reverse		108	108	108	108	108	108	108	108	
Surface Smoothness, PPS 10, µm, Top		1.0	1.0	1.0	1.0	1.0	1.0	1.0	1.0	ISO 8791-4
Surface Smoothness, PPS 10, µm, Reverse		4.0	4.0	4.0	4.0	4.0	4.0	4.0	4.0	
Surface Smoothness, Bendtsen, ml/min		30	30	30	30	30	30	30	30	ISO 8791-2
Gloss 75, %		45	45	45	45	45	45	45	45	ISO 8254-1
Scott Bond, J/m <sup>2</sup>		200	200	200	200	200	200	200	200	TAPPI 569 om-09

All properties according to Imatra Mill measurements.

Test climate 23°C/50% RH (according to ISO 187). In order to verify, reel/pallet average shall be based on 5 single measurements randomly sampled within the reel/pallet. These averages will be for at least 19 of 20 reels/pallets within the specification limits.

#### Certificates

Quality management ISO 9001  
 Environmental management ISO 14001  
 Product safety ISO 22000  
 Health and safety OHSAS 18001  
 Energy management ISO 50001  
 Forest certification and Chain-of-Custody, FSC® (logo licence number FSC-C105192), PEFC™ (logo licence number PEFC/02-31-71)

Paperboard is recyclable 